

FRONT
OF
SCOREBOARD

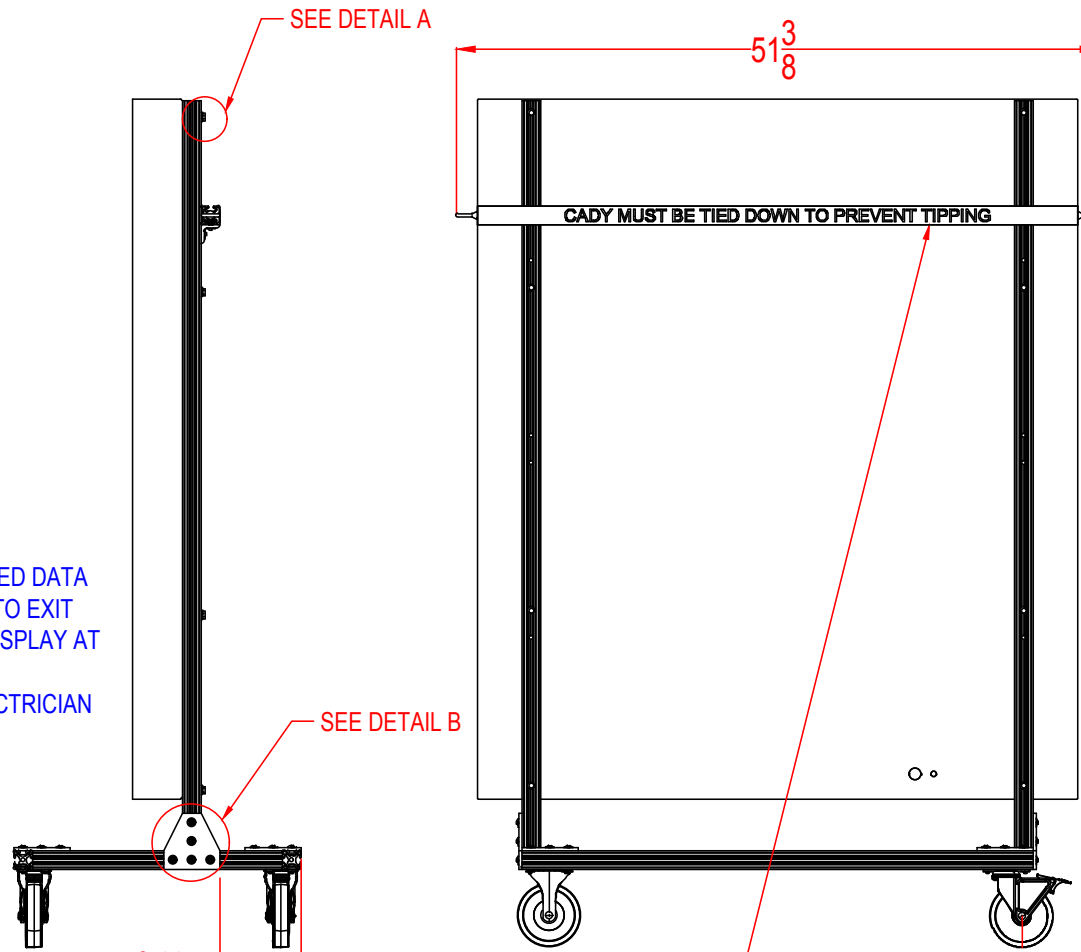
3'-6"
4'-8"

4'-0"

POWER CORD & WIRED DATA
CAN BE REROUTED TO EXIT
THE REAR OF THE DISPLAY AT
THIS LOCATION
BY A CERTIFIED ELECTRICIAN

14' POWER CORD TO 5-15R OUTLET

OPTIONAL SCOREBOARD DATA CABLE- MUST BE ORDERED SEPARATELY



SEE DETAIL A

51 ³/₈

CADDY MUST BE TIED DOWN TO PREVENT TIPPING

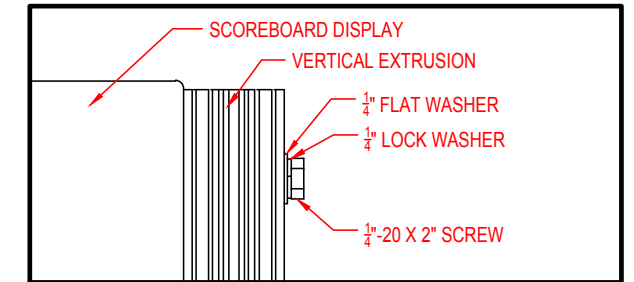
SEE DETAIL B

8.44

USE TIE-DOWN BAR AND EYE
BOLTS TO SECURE CADDY

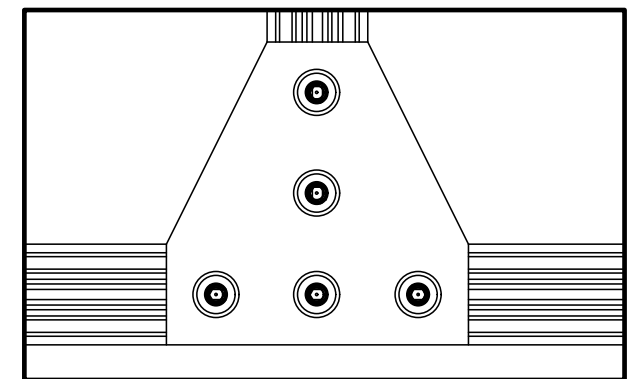
INSTALLATION PROCEDURE:

1. ATTACH VERTICAL EXTRUSION PIECES TO
SCOREBOARD USING THREADED INSERTS AND 1/4"
HARDWARE



DETAIL A
EXTRUSION-SCOREBOARD ATTACHMENT
4 LOCATIONS PER EXTRUSION
8 LOCATIONS TOTAL

2. SECURE VERTICAL EXTRUSION PIECES TO BASE OF
CADDY USING INCLUDED PLATE AND HARWARE



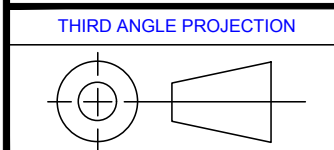
DETAIL B
EXTRUSION-CADDY ATTACHMENT
2 LOCATIONS

NOTES:

- THE DISPLAY IS EQUIPPED WITH A 14' POWER CABLE WITH A NEMA 5-15R PLUG. NOTE THE EXIT LOCATION IS ON THE BOTTOM OF THE DISPLAY. THIS CABLE IS ONLY TO BE USED IN EITHER INDOOR APPLICATIONS OR OUTDOOR APPLICATIONS IN CONJUNCTION WITH AN OUTDOOR RATED RECEPTACLE. POWER CABLE CAN BE REROUTED TO EXIT THE REAR OF THE DISPLAY BY A CERTIFIED ELECTRICIAN.
- THIS SIGN IS INTENDED TO BE INSTALLED IN ACCORDANCE WITH THE REQUIREMENTS OF ARTICLE 600 OF THE NATIONAL ELECTRIC CODE AND/OR OTHER APPLICABLE CODES. THIS INCLUDES PROPER GROUNDING AND BONDING OF THE SCOREBOARD
- DO NOT USE IN WIND APPLICATIONS

A	INITIAL RELEASE	2019/06/07	VB
REV	DESCRIPTION	DATE	APP

REVISIONS



TRADE SECRET

The information and data contained herein is secret and is submitted in confidence, and shall not be disclosed, used, or duplicated for any purpose whatsoever without the prior written permission of Colorado Time Systems, Inc., 1551 E. 11th Street, Loveland Colorado, 80537. This legend shall be marked on any reproduction hereof in whole or in part. Receipt of this document shall be deemed to be an acceptance of the conditions specified herein.

THE INFORMATION ON THIS DRAWING IS SUBJECT TO CHANGE WITHOUT NOTICE

DIMENSIONS ARE REPRESENTED AS FOLLOWS: INCH [MM]	
TOLERANCES EXCEPT AS NOTED	
INCHES	MM
X ± 0.02	X ±
ANGLES ± 1	
DO NOT SCALE THIS DRAWING	
SCALE	SHEET 1 OF 2

DRAWN BY	DATE
V. BEDNARSKI	2019/06/07
ENG. APPROVAL	DATE
PROJECT ENG.	DATE

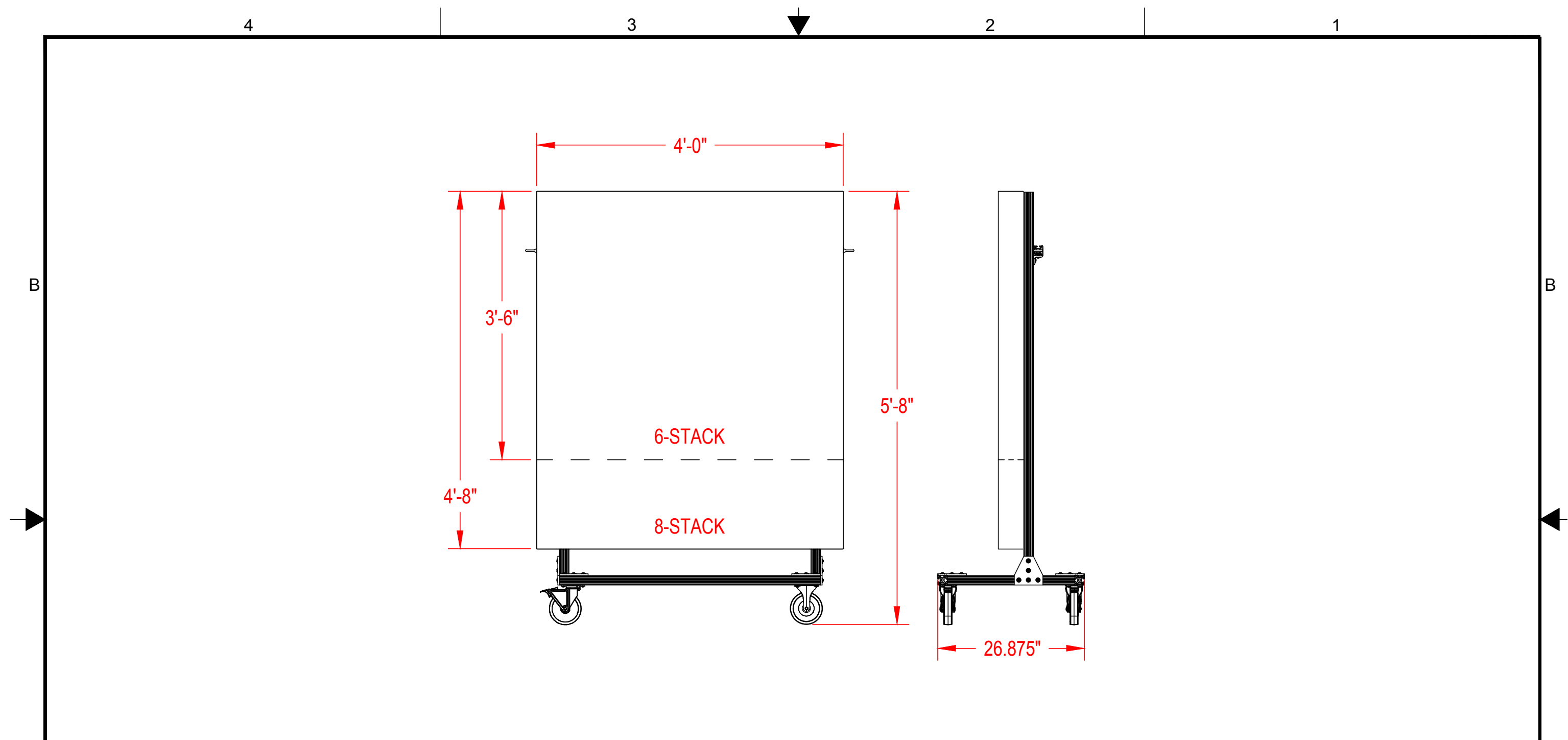
TITLE
5" MULTI-LINE CADDY MINI-4 MOUNT INSTALL DETAILS

WWW.COLORADOTIME.COM



1551 E. 11th. St.
Loveland, CO 80537
P: (970) 667-1000
F: (970) 667-5876
WWW.COLORADOTIME.COM

SIZE	DRAWING NUMBER	REV.
B	S2019-001-001	A



DIMENSIONAL DETAILS
CAD-MINI-4

THE INFORMATION ON THIS DRAWING IS SUBJECT TO CHANGE WITHOUT NOTICE

WWW.COLORADOTIME.COM

REVISIONS THIRD ANGLE PROJECTION 		TRADE SECRET <small>The information and data contained herein is secret and is submitted in confidence, and shall not be disclosed, used, or duplicated for any purpose whatsoever without the prior written permission of Colorado Time Systems, Inc., 1551 E. 11th Street, Loveland Colorado, 80537. This legend shall be marked on any reproduction hereof in whole or in part. Receipt of this document shall be deemed to be an acceptance of the conditions specified herein.</small>		DIMENSIONS ARE REPRESENTED AS FOLLOWS: INCH [MM] TOLERANCES EXCEPT AS NOTED INCHES: X ± 0.02 MM: X ± 1 ANGLES ± 1 DO NOT SCALE THIS DRAWING SCALE: NTS SHEET 2 OF 2		DRAWN BY: V. BEDNARSKI DATE: 2019/06/07 ENG. APPROVAL: PROJECT ENG.		TITLE: 5" MULTI-LINE CADDY MINI-4 MOUNT DIMENSIONAL DETAILS DATE:		1551 E. 11th St. Loveland, CO 80537 P: (970) 667-1000 F: (970) 667-5876 WWW.COLORADOTIME.COM		SIZE: B	DRAWING NUMBER: S2014-001-001	REV.: A
--	--	---	--	---	--	--	--	--	--	--	--	---------	-------------------------------	---------