

- NOTES:
1. SAMPLE RENDERING ONLY
 2. TOTAL DISPLAY WEIGHT: APPROXIMATELY 70 LBS [31.8 KG]
 3. ALL ATTACHMENT HARDWARE TO BE ORDERED SEPARATELY
 4. DIMENSIONS ARE APPROXIMATE AND SUBJECT TO CHANGE DUE TO DETAILED DESIGN CONSIDERATIONS
 5. ALL CONSTRUCTION AND FABRICATION MUST MEET ALL APPLICABLE LOCAL, STATE, AND NATIONAL CODES
 6. ALL ON-SITE WORK TO BE DONE IN ACCORDANCE WITH OSHA AND ALL LOCAL CODES THAT APPLY
 7. CTS ASSUMES NO RESPONSIBILITY FOR INSTALLATIONS PERFORMED BY OTHERS

A	RELEASE FOR INFORMATION	8/10/15	PJS
REV	DESCRIPTION	DATE	APP

THE INFORMATION ON THIS DRAWING IS SUBJECT TO CHANGE WITHOUT NOTICE

WWW.COLORADOTIME.COM

REVISIONS

THIRD ANGLE PROJECTION

TRADE SECRET

The information and data contained herein is secret and is submitted in confidence, and shall not be disclosed, used, or duplicated for any purpose whatsoever without the prior written permission of Colorado Time Systems, Inc., 1551 E. 11th Street, Loveland Colorado, 80537. This legend shall be marked on any reproduction hereof in whole or in part. Receipt of this document shall be deemed to be an acceptance of the conditions specified herein.

DIMENSIONS ARE REPRESENTED AS FOLLOWS: INCH [MM]

TOLERANCES EXCEPT AS NOTED	
INCHES	MM
X ± 0.02	X ±
ANGLES ± 1	
DO NOT SCALE THIS DRAWING	
SCALE	SHEET 1 OF 3

DRAWN BY	DATE	TITLE
P.SCHIEL	8/10/15	MS-0150 CORNER MOUNT GENERAL LAYOUT
ENG. APPROVAL	DATE	
PROJECT ENG.	DATE	

SIZE	DRAWING NUMBER	REV.
B	S2015-002-010	A

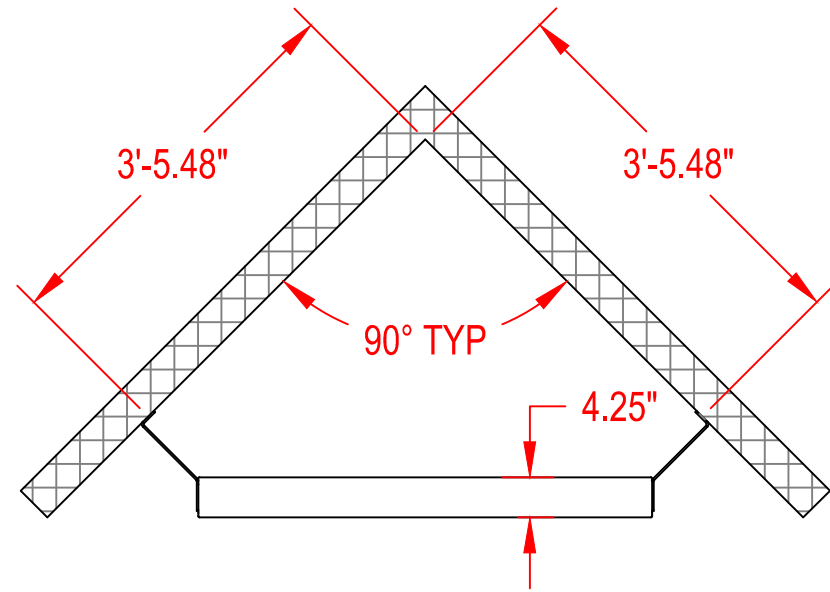
1551 E. 11th. St.
Loveland, CO 80537
P: (970) 667-1000
F: (970) 667-5876
WWW.COLORADOTIME.COM

4

3

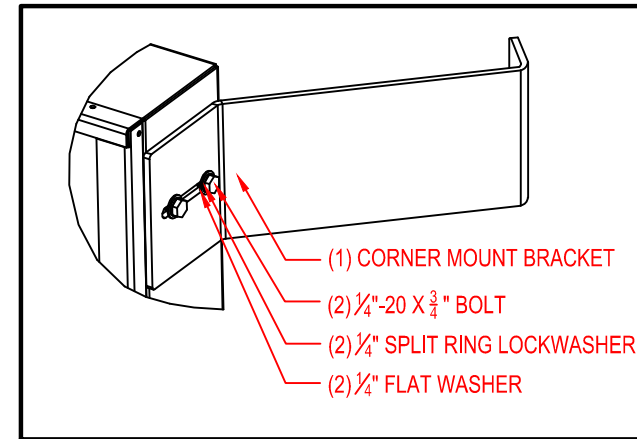
2

1



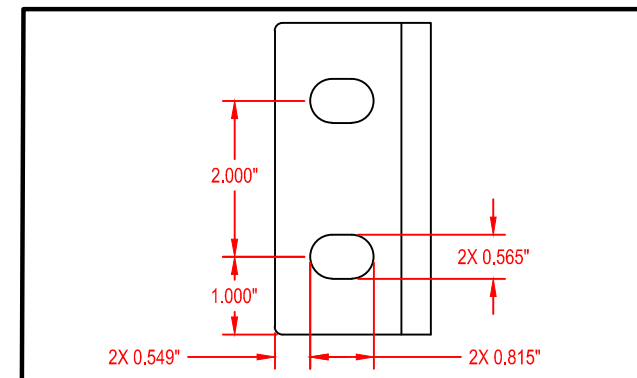
INSTALLATION PROCEDURE:

1. ATTACH (4) CORNER MOUNT BRACKETS TO SCOREBOARD IN LOCATIONS SHOWN, USING 1/4" HARDWARE

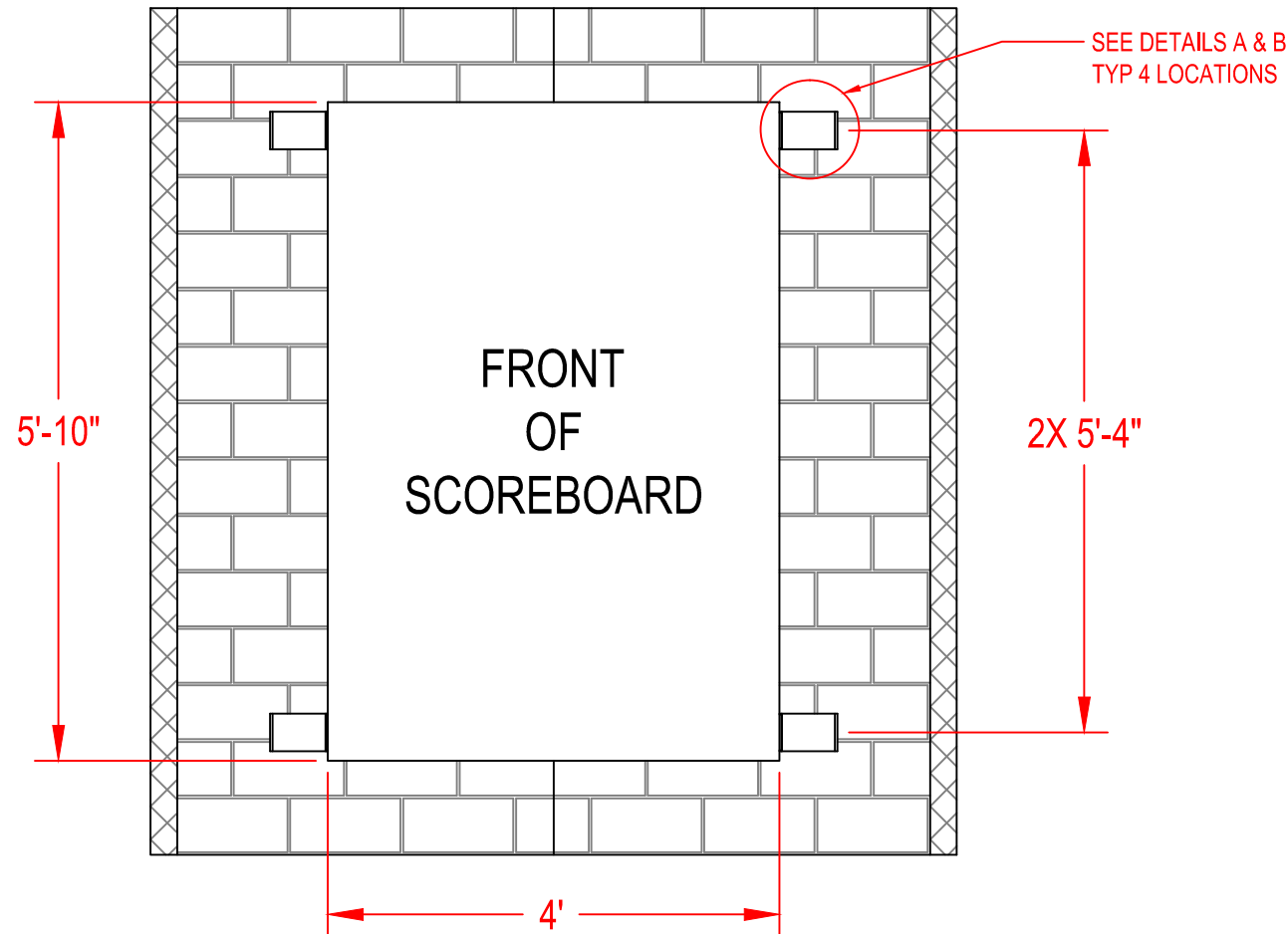


DETAIL A
CORNER MOUNT BRACKET- SCOREBOARD ATTACHMENT
4 LOCATIONS

2. SECURE CORNER MOUNT BRACKETS TO WALL/STRUCTURE USING APPROPRIATE HARDWARE
-HARDWARE TO BE SPECIFIED AND APPROVED BY OTHERS. (2) ANCHORS REQUIRED PER BRACKET
-ENSURE DISPLAY IS LEVEL, PLUMB, AND SQUARE



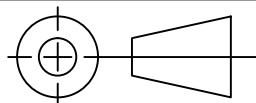
DETAIL B
CORNER MOUNT BRACKET- WALL ATTACHMENT
4 LOCATIONS



WWW.COLORADOTIME.COM

THE INFORMATION ON THIS DRAWING IS SUBJECT TO CHANGE WITHOUT NOTICE

THIRD ANGLE PROJECTION



TRADE SECRET

The information and data contained herein is secret and is submitted in confidence, and shall not be disclosed, used, or duplicated for any purpose whatsoever without the prior written permission of Colorado Time Systems, Inc., 1551 E. 11th Street, Loveland Colorado, 80537. This legend shall be marked on any reproduction hereof in whole or in part. Receipt of this document shall be deemed to be an acceptance of the conditions specified herein.

DIMENSIONS ARE REPRESENTED AS FOLLOWS: INCH (MM)

TOLERANCES EXCEPT AS NOTED	
INCHES	MM
X ± 0.02	X ±
ANGLES ± 1	
DO NOT SCALE THIS DRAWING	
SCALE	SHEET 2 OF 3
NTS	

DRAWN BY

P.SCHIEL

DATE

8/10/15

ENG. APPROVAL

PROJECT ENG.

DATE

DATE

TITLE

**MS-0150
CORNER MOUNT
STRUCTURAL DETAILS**



1551 E. 11th. St.
Loveland, CO 80537
P: (970) 667-1000
F: (970) 667-5876
WWW.COLORADOTIME.COM

SIZE
B

DRAWING NUMBER

S2015-002-010

REV.

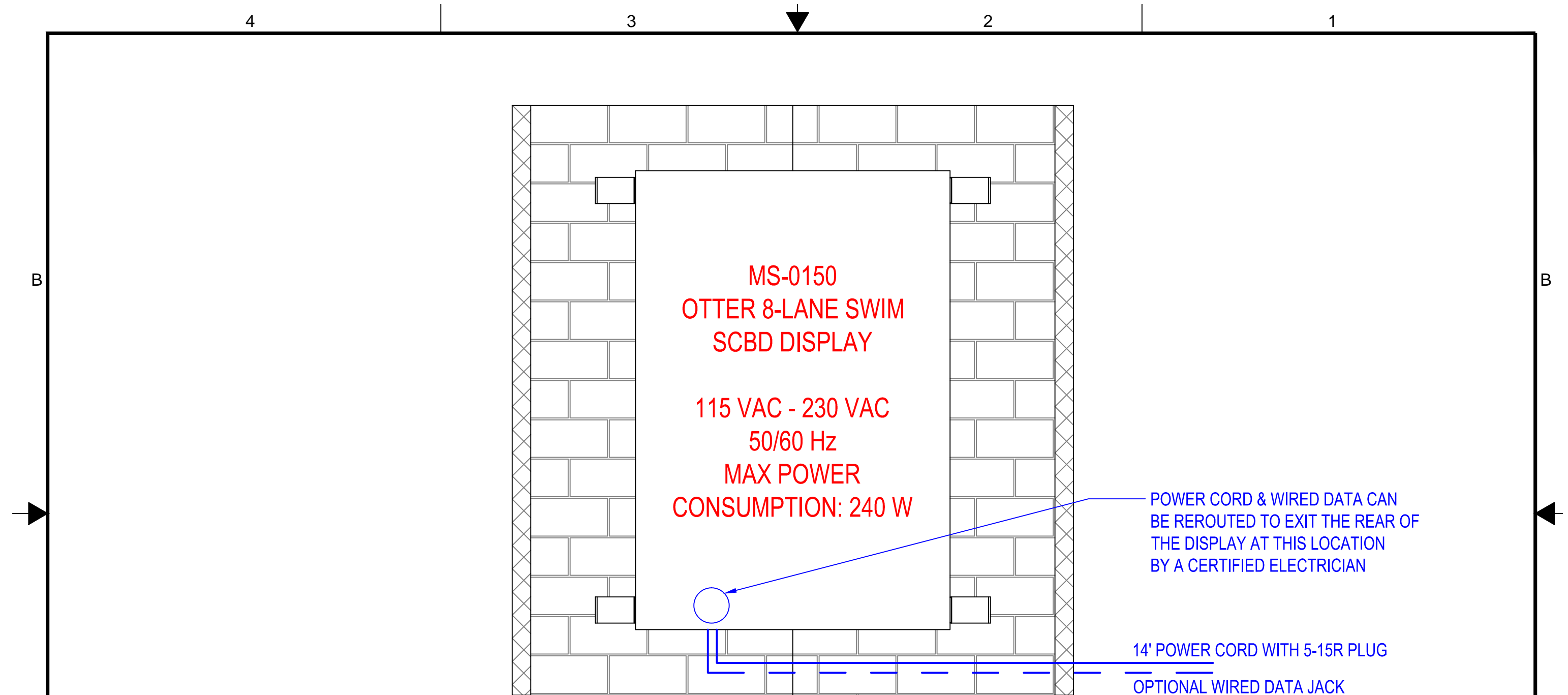
A

4

3

2

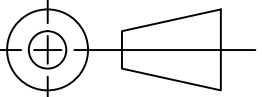

1



NOTES:

1. POWER AND DATA CABLES MUST BE ROUTED IN SEPARATE CONDUIT
2. CTS SUGGESTS 3/4" CONDUIT FOR ALL BURIED CABLE
3. EACH DISPLAY IS EQUIPPED WITH A 14' POWER CABLE WITH A NEMA 5-15R PLUG. NOTE THE EXIT LOCATION IS ON THE BOTTOM OF THE DISPLAY. THIS CABLE IS ONLY TO BE USED IN CONJUNCTION WITH AN OUTDOOR RATED RECEPTACLE
4. IF USING WIRED DATA, TERMINATE DATA CONDUIT TO JUNCTION BOX NEAR DATA JACK LOCATION
5. SCOREBOARD DOES NOT INCLUDE ON/OFF POWER SWITCH. INSTALL OPTIONAL SWITCH/DISCONNECT FOR ABILITY TO TURN SCOREBOARD ON/OFF IF NEEDED OR DESIRED
6. THIS SIGN IS INTENDED TO BE INSTALLED IN ACCORDANCE WITH THE REQUIREMENTS OF ARTICLE 600 OF THE NATIONAL ELECTRIC CODE AND/OR OTHER APPLICABLE CODES. THIS INCLUDES PROPER GROUNDING AND BONDING OF THE SCOREBOARD

THE INFORMATION ON THIS DRAWING IS SUBJECT TO CHANGE WITHOUT NOTICE

THIRD ANGLE PROJECTION 	TRADE SECRET <small>The information and data contained herein is secret and is submitted in confidence, and shall not be disclosed, used, or duplicated for any purpose whatsoever without the prior written permission of Colorado Time Systems, Inc., 1551 E. 11th Street, Loveland Colorado, 80537. This legend shall be marked on any reproduction hereof in whole or in part. Receipt of this document shall be deemed to be an acceptance of the conditions specified herein.</small>	DIMENSIONS ARE REPRESENTED AS FOLLOWS: INCH (MM) TOLERANCES EXCEPT AS NOTED INCHES: X ± 0.02 X ± MM ANGLES ± 1 DO NOT SCALE THIS DRAWING SCALE: NTS SHEET 3 OF 3	DRAWN BY: P.SCHIEL ENG. APPROVAL: PROJECT ENG.:	DATE: 8/10/15 DATE: DATE:	TITLE MS-0150 CORNER MOUNT ELECTRICAL DETAILS	 Colorado TIME SYSTEMS.	1551 E. 11th. St. Loveland, CO 80537 P: (970) 667-1000 F: (970) 667-5876 WWW.COLORADOTIME.COM	SIZE: B DRAWING NUMBER: S2015-002-010 REV.: A
---	---	---	---	---------------------------------	---	--	---	---

WWW.COLORADOTIME.COM