

8 7 6 5 4 3 2 1

D

C

B

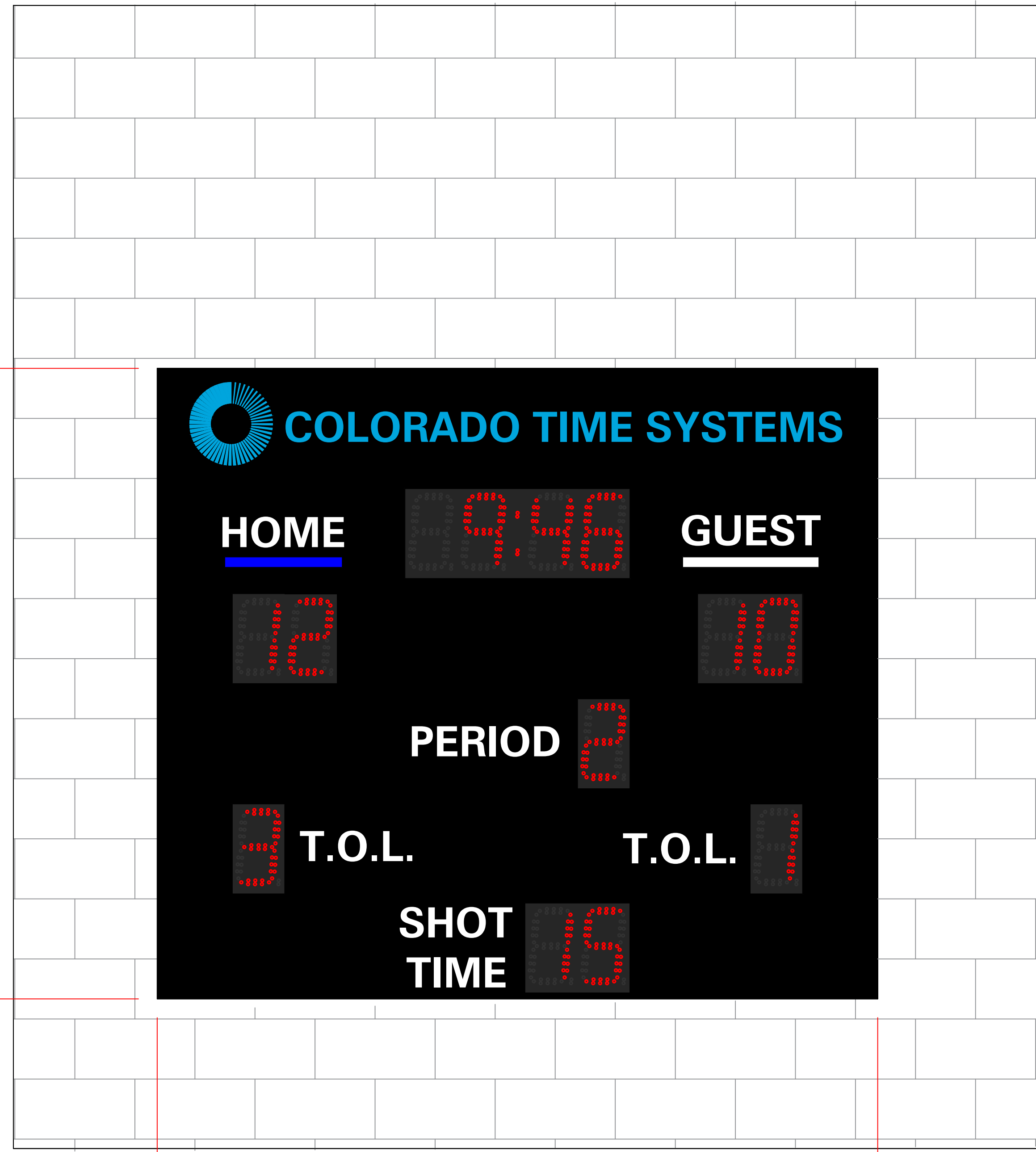
A

D

C

B

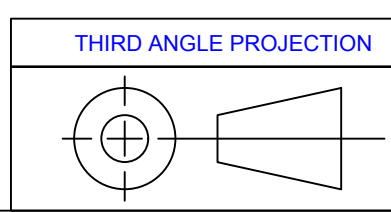
A



3'-6"

4'

- NOTES:
1. SAMPLE RENDERING ONLY
 2. TOTAL DISPLAY WEIGHT: APPROXIMATELY 50 LBS (22.68 KG)
 3. ALL ATTACHMENT HARDWARE TO BE ORDERED SEPARATELY
 4. DIMENSIONS ARE APPROXIMATE AND SUBJECT TO CHANGE DUE TO DETAILED DESIGN CONSIDERATIONS
 5. ALL CONSTRUCTION AND FABRICATION MUST MEET ALL APPLICABLE LOCAL, STATE, AND NATIONAL CODES
 6. ALL ON-SITE WORK TO BE DONE IN ACCORDANCE WITH OSHA AND ALL LOCAL CODES THAT APPLY
 7. CTS ASSUMES NO RESPONSIBILITY FOR INSTALLATIONS PERFORMED BY OTHERS

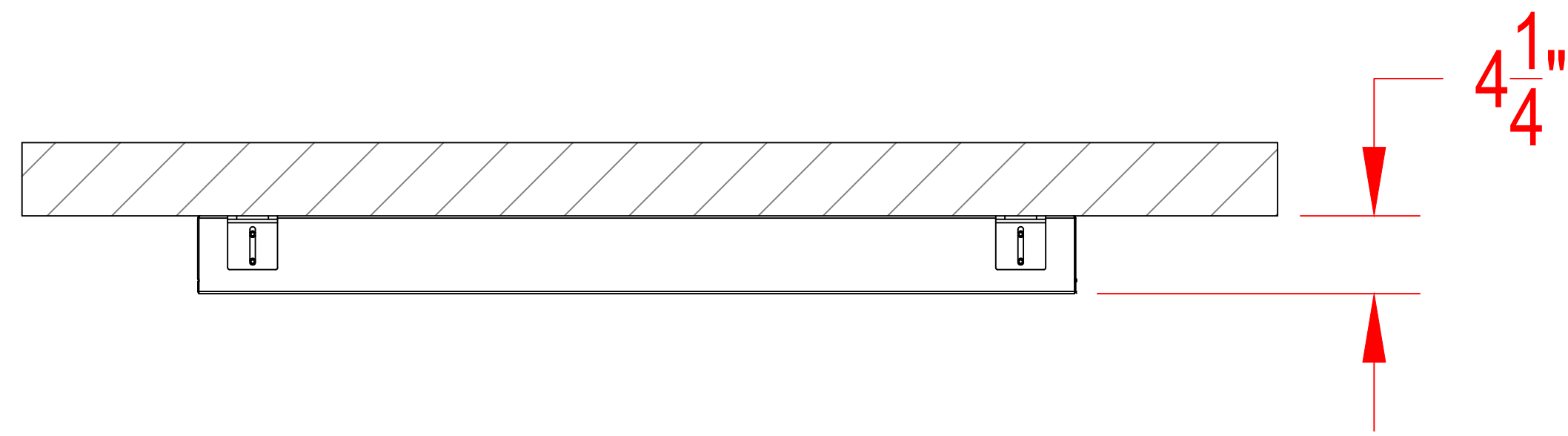


UNLESS OTHERWISE SPECIFIED:
 VARIATIONS IN FORM FOR UNMACHINED FEATURES ARE PERMITTED WITHIN ESTABLISHED COMMERCIAL STANDARDS. ALL EDGES AND CORNERS 0.005-0.020 (APPROX RADIUS OR CHAMFER). ALL FILLETS 0.005-0.020 (APPROX RADIUS) - SCREW THREADS PER ANSI B1.1 - PIPE THREADS PER ANSI B1.1 - SURFACE ROUGHNESS PER ANSI B46.1 - SURFACE ROUGHNESS ON HOLES 250 MAX

REV	DESCRIPTION	ECO/PCO #	DATE	APPROVED
A	RELEASE DRAWING PER ECO	--	2017/07/12	VAB

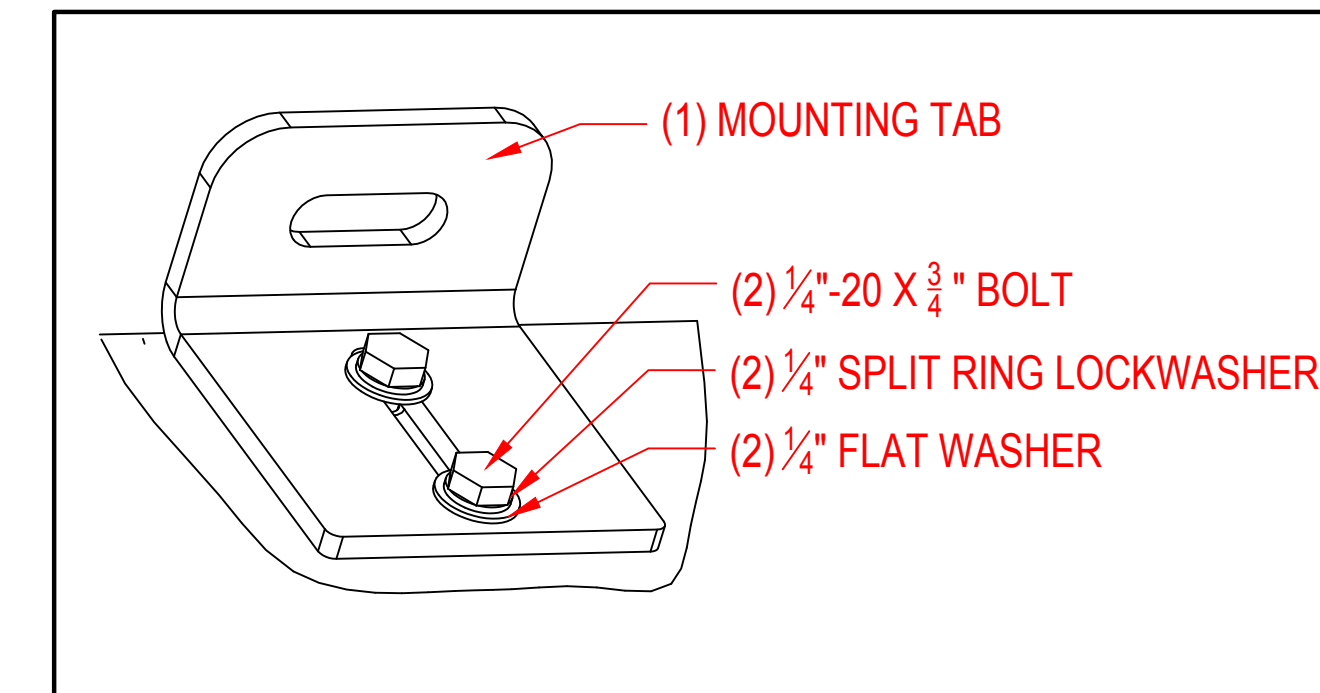
ALL DIMS IN INCHES UNLESS OTHERWISE NOTED INCH [MM] 1 INCH = 25.4MM TOLERANCES EXCEPT AS NOTED INCHES X ± 0.02 XX ± 0.02 XXX ± 0.005 ANGLES ± 1° MATERIAL SEE BILL OF MATERIAL FINISH		DRAWN BY V. BEDNARSKI ENG. APPROVAL PROJECT ENG. DATE 2017/07/12 DO NOT SCALE THIS DRAWING TRADE SECRET <small>The information on this drawing is confidential and is intended for use only by the recipient. It is not to be disclosed, used, or duplicated for any purpose whatsoever without the prior written permission of Colorado Time Systems, Inc., 1551 E. 11th Street, Loveland, Colorado, 80537. This agreement shall be marked on any reproduction hereof in whole or in part. Receipt of this document shall be deemed to be an acceptance of the conditions specified herein.</small>	 1551 E. 11th St. Loveland, CO 80537 P: (970) 667-1000 F: (970) 667-5076 TITLE MS-0140 WALL MOUNT GENERAL LAYOUT NEXT ASSEMBLY NEXTASSY SIZE D DRAWING NUMBER S2017-002-002 REV. A SCALE N.T.S. SHEET 1 OF 1
---	--	---	--

8 7 6 5 4 3 2 1



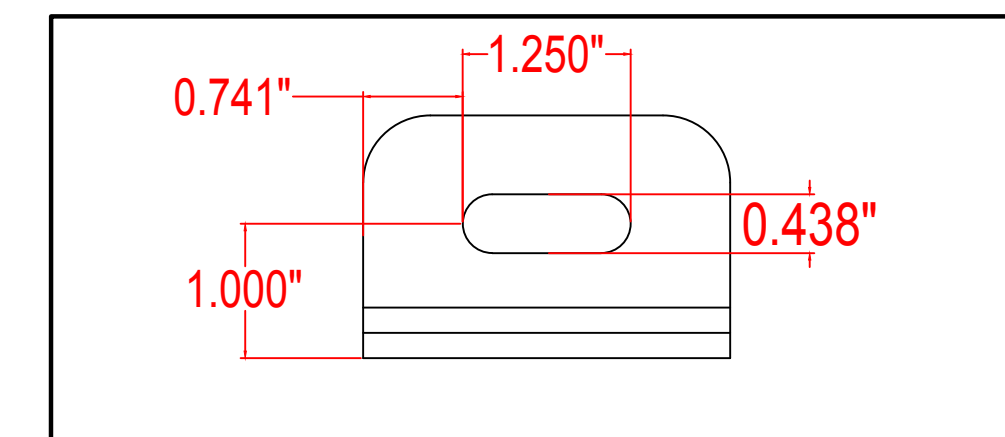
INSTALLATION PROCEDURE:

1. ATTACH (4) MOUNTING TABS TO SCOREBOARDS IN LOCATIONS SHOWN, USING 1/4" STAINLESS STEEL HARDWARE

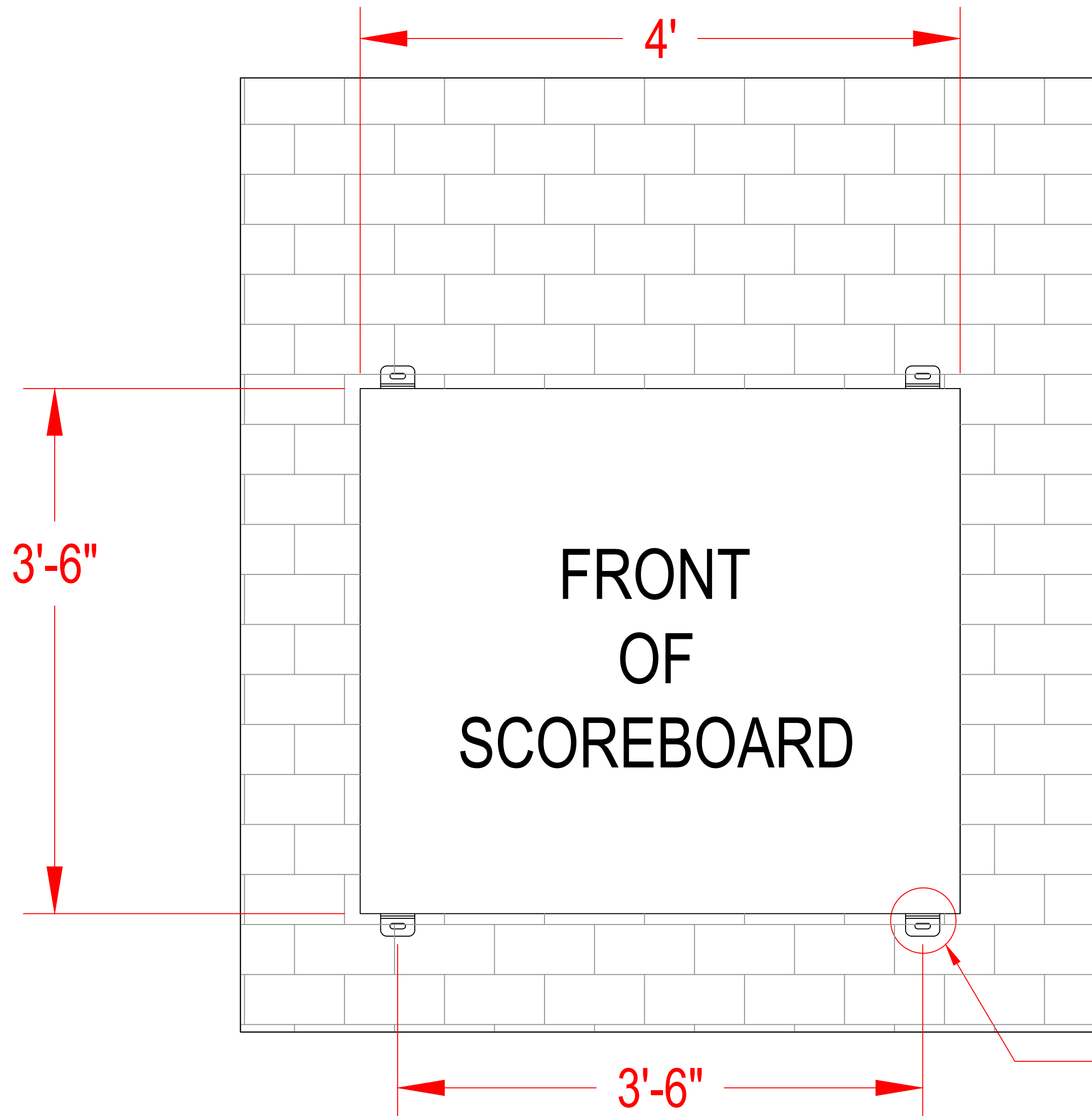


DETAIL A
MOUNTING TAB- SCOREBOARD ATTACHMENT
4 LOCATIONS TOTAL

2. SECURE MOUNTING TABS TO WALL/STRUCTURE USING REDHEAD (4) SHN-3817 3/8" X 1 7/8" STAINLESS STEEL SLEEVE ANCHORS OR SIMILAR
-ENSURE DISPLAY IS LEVEL, PLUMB, AND SQUARE ON STRUCTURE



DETAIL B
MOUNTING TAB- WALL ATTACHMENT
4 LOCATIONS TOTAL

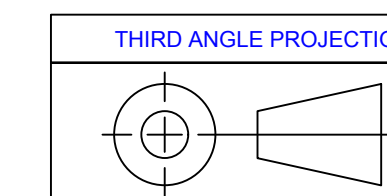


FRONT OF SCOREBOARD

SEE DETAILS A & B

NOTES:
THE INFORMATION ON THIS DRAWING IS SUBJECT TO CHANGE WITHOUT NOTICE

UNLESS OTHERWISE SPECIFIED:
VARIATIONS IN FORM FOR UNMACHINED FEATURES ARE PERMITTED WITHIN ESTABLISHED COMMERCIAL STANDARDS. ALL EDGES AND CORNERS 0.005-0.020 (APPROX RADIUS OR CHAMFER). ALL FILLETS 0.005-0.020 (APPROX RADIUS) - SCREW THREADS PER ANSI B1.1 - PIPE THREADS PER ANSI B1.1 - SURFACE ROUGHNESS PER ANSI B46.1 - SURFACE ROUGHNESS ON HOLES 250 MAX



ALL DIMS IN INCHES UNLESS OTHERWISE NOTED		DATE	DRAWN BY	DATE	1551 E. 11th St. Loveland, CO 80537 P: (970) 667-1000 F: (970) 667-5076
INCH [MM]	1 INCH = 25.4MM	2017/07/12	V. BEDNARSKI		
TOLERANCES EXCEPT AS NOTED		ENG. APPROVAL			MS-0140 WALL MOUNT GENERAL LAYOUT NEXT ASSEMBLY NEXTASSY
		PROJECT ENG.			
INCHES X ± 0.02 XX ± 0.02 XXX ± 0.005 ANGLES ± 1°		MM X ± XX ± XXX ±		DO NOT SCALE THIS DRAWING TRADE SECRET <small>The information and data contained herein is confidential and proprietary to Colorado Time Systems, Inc. 1995 E. 11th Street, Loveland, Colorado, 80537. This report shall be returned to the originator upon request or in whole or in part. Receipt of this document shall be deemed to be an acceptance of the conditions specified herein.</small>	
MATERIAL SEE BILL OF MATERIAL		FINISH		SCALE	SIZE D DRAWING NUMBER S2017-002-002 REV. A
				N.T.S.	SHEET 1 OF 2

8 7 6 5 4 3 2 1

8

7

6

5

4

3

2

1

D

C

B

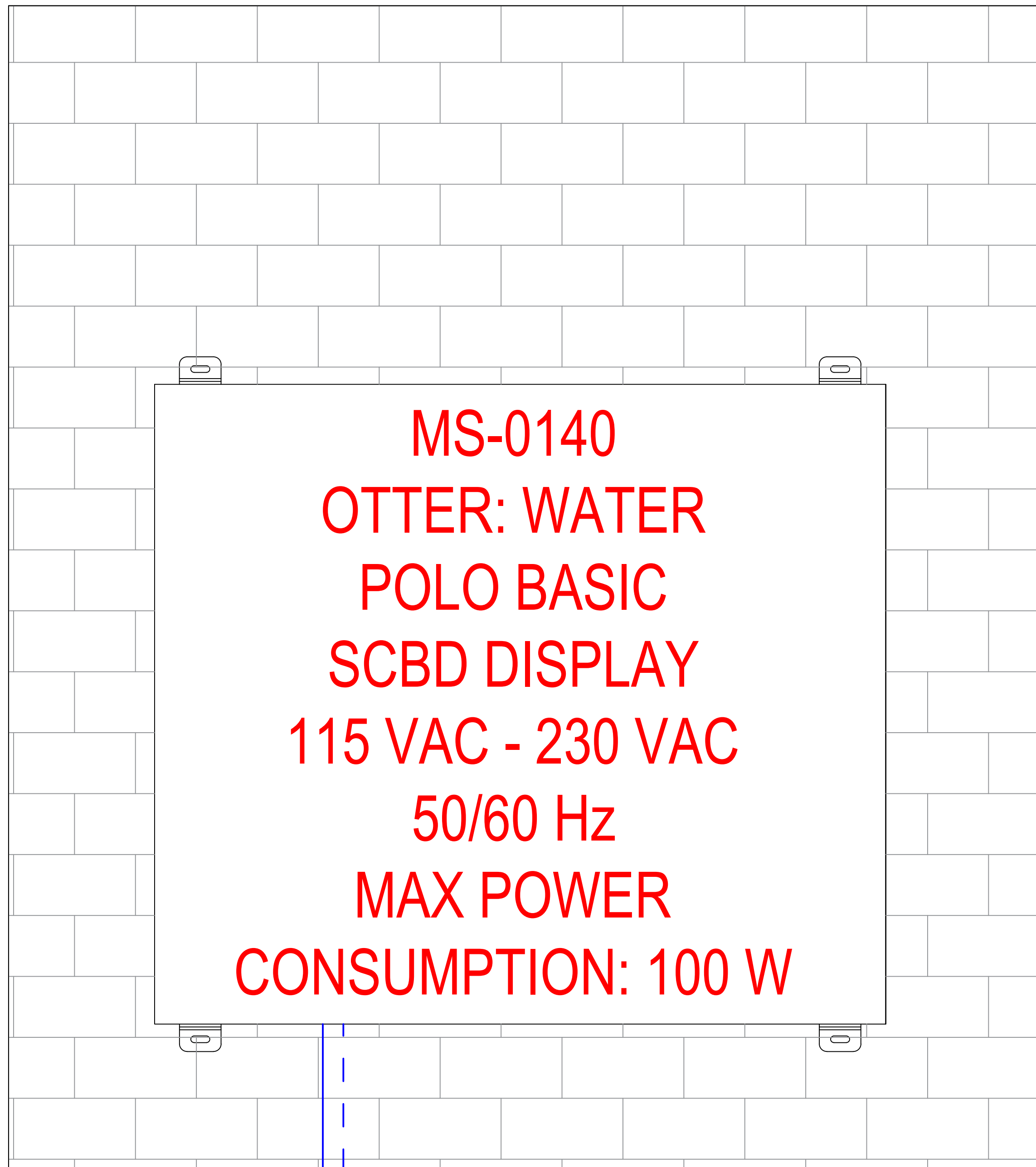
A

D

C

B

A

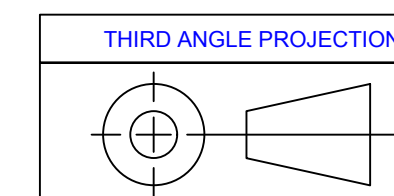


MS-0140
OTTER: WATER
POLO BASIC
SCBD DISPLAY
115 VAC - 230 VAC
50/60 Hz
MAX POWER
CONSUMPTION: 100 W

14' POWER CORD WITH 5-15R PLUG

OPTIONAL WIRED DATA JACK

- NOTES:
1. POWER AND DATA CABLES MUST BE ROUTED IN SEPARATE CONDUIT
 2. CTS SUGGESTS 3" CONDUIT FOR ALL BURIED CABLE
 3. EACH DISPLAY IS EQUIPPED WITH A 14' POWER CABLE WITH A NEMA 5-15R PLUG. NOTE THE EXIT LOCATION IS ON THE BOTTOM OF THE DISPLAY. THIS CABLE IS ONLY TO BE USED IN CONJUNCTION WITH AN OUTDOOR RATED RECEPTACLE
 4. IF USING WIRED DATA, TERMINATE DATA CONDUIT TO JUNCTION BOX NEAR DATA JACK LOCATION
 5. SCOREBOARD DOES NOT INCLUDE ON/OFF POWER SWITCH. INSTALL OPTIONAL SWITCH/DISCONNECT FOR ABILITY TO TURN SCOREBOARD ON/OFF IF NEEDED OR DESIRED
 6. THIS SIGN IS INTENDED TO BE INSTALLED IN ACCORDANCE WITH THE REQUIREMENTS OF ARTICLE 600 OF THE NATIONAL ELECTRIC CODE AND/OR OTHER APPLICABLE CODES. THIS INCLUDES PROPER GROUNDING AND BONDING OF THE SCOREBOARD



UNLESS OTHERWISE SPECIFIED:
 VARIATIONS IN FORM FOR UNMACHINED FEATURES ARE PERMITTED WITHIN ESTABLISHED COMMERCIAL STANDARDS. ALL EDGES AND CORNERS 0.005-0.020 (APPROX RADIUS OR CHAMFER). ALL FILLETS 0.005-0.020 (APPROX RADIUS) - SCREW THREADS PER ANSI B1.1 - PIPE THREADS PER ANSI B1.1 - SURFACE ROUGHNESS PER ANSI B46.1 - SURFACE ROUGHNESS ON HOLES 250 MAX

THE INFORMATION ON THIS DRAWING IS SUBJECT TO CHANGE WITHOUT NOTICE

ALL DIMS IN INCHES UNLESS OTHERWISE NOTED		DRAWN BY	V. BEDNARSKI	DATE	2017/07/12
INCH [MM] 1 INCH = 25.4MM		ENG. APPROVAL			
TOLERANCES EXCEPT AS NOTED		PROJECT ENG.			
INCHES		MM			
X ± 0.02		X ±			
XX ± 0.02		XX ±			
XXX ± 0.005		XXX ±			
ANGLES ± 1°					
MATERIAL		SEE BILL OF MATERIAL			
FINISH					
DO NOT SCALE THIS DRAWING					
TRADE SECRET					
<small>The information and data contained herein is a trade secret and is confidential in nature and shall not be disclosed, used, or duplicated for any purpose whatsoever without the prior written permission of Colorado Time Systems, Inc. 1993 E. 19th Street, Loveland, Colorado 80537. This agreement shall be null and void if any reproduction, in whole or in part. Receipt of this document shall be deemed to be an acceptance of the conditions specified herein.</small>					
TITLE		MS-0140 WALL MOUNT GENERAL LAYOUT			
NEXT ASSEMBLY		NEXTASSY			
SIZE	DRAWING NUMBER	REV.			
D	S2017-002-002	A			
SCALE	N.T.S.	SHEET 1 OF 3			

8

7

6

5

4

3

2

1