

NOTES:

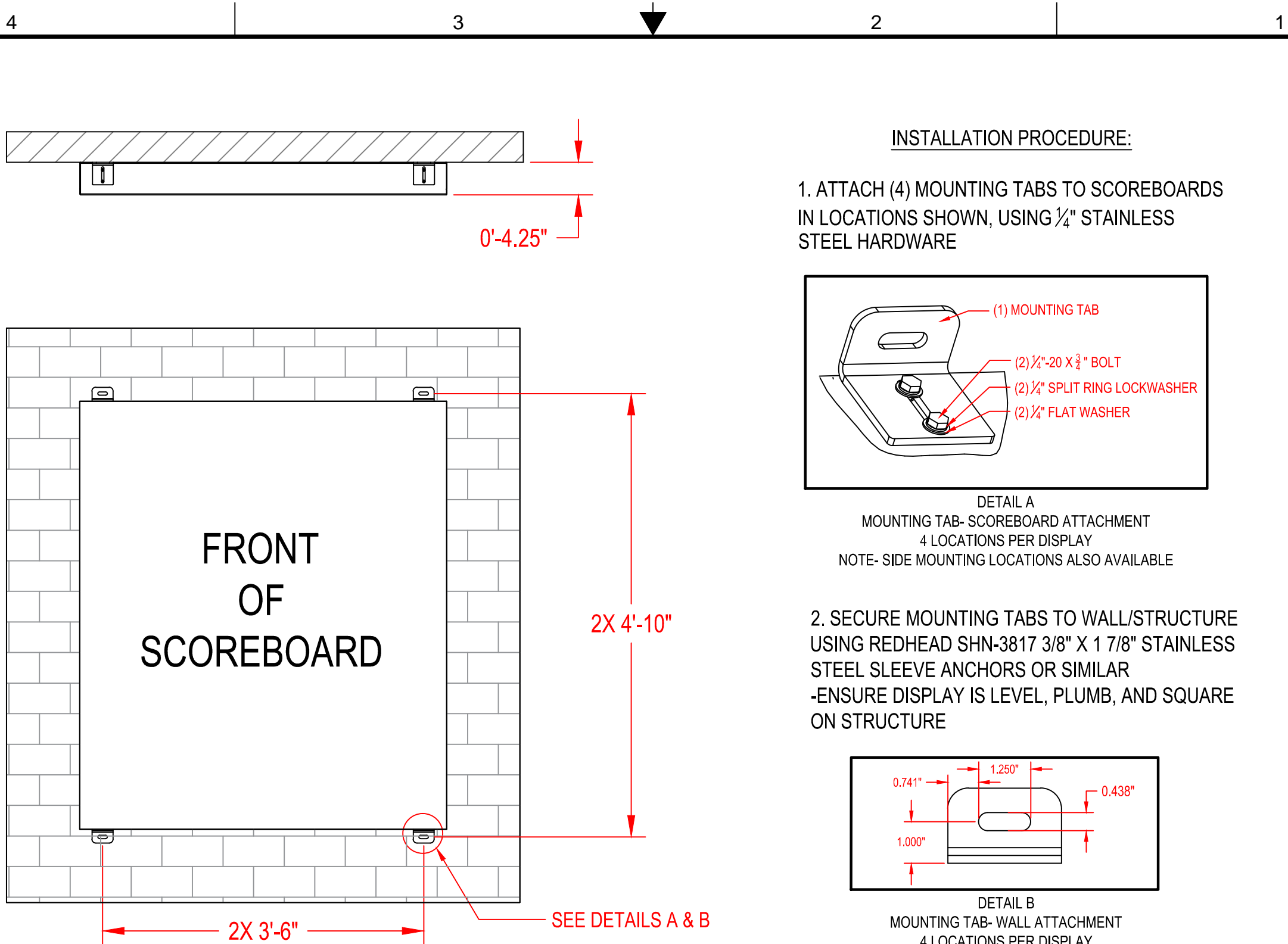
1. TOTAL DISPLAY WEIGHT: APPROXIMATELY 60 LBS [27.22 KG]
2. ALL ATTACHMENT HARDWARE TO BE ORDERED SEPARATELY
3. DIMENSIONS ARE APPROXIMATE AND SUBJECT TO CHANGE DUE TO DETAILED DESIGN CONSIDERATIONS
4. ALL CONSTRUCTION AND FABRICATION MUST MEET ALL APPLICABLE LOCAL, STATE, AND NATIONAL CODES
5. ALL ON-SITE WORK TO BE DONE IN ACCORDANCE WITH OSHA AND ALL LOCAL CODES THAT APPLY
6. CTS ASSUMES NO RESPONSIBILITY FOR INSTALLATIONS PERFORMED BY OTHERS

REV	DESCRIPTION	DATE	APP
A1	ADD POWER SWITCH INFO	11/21/14	PJS

THE INFORMATION ON THIS DRAWING IS SUBJECT TO CHANGE WITHOUT NOTICE

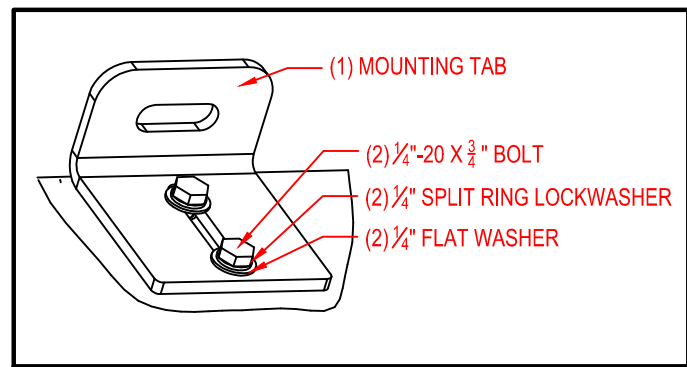
WWW.COLORADOTIME.COM

REVISIONS THIRD ANGLE PROJECTION 		TRADE SECRET <small>The information and data contained herein is secret and is submitted in confidence, and shall not be disclosed, used, or duplicated for any purpose whatsoever without the prior written permission of Colorado Time Systems, Inc., 1551 E. 11th Street, Loveland Colorado, 80537. This legend shall be marked on any reproduction hereof in whole or in part. Receipt of this document shall be deemed to be an acceptance of the conditions specified herein.</small>		DIMENSIONS ARE REPRESENTED AS FOLLOWS: INCH (MM) TOLERANCES EXCEPT AS NOTED INCHES: X ± 0.02 X ± MM ANGLES ± 1 DO NOT SCALE THIS DRAWING SCALE: NTS SHEET 1 OF 3		DRAWN BY: P.SCHIEL DATE: 10/30/14 ENG. APPROVAL: _____ PROJECT ENG.: _____		TITLE: MS-0111 WALL MOUNT GENERAL LAYOUT		1551 E. 11th. St. Loveland, CO 80537 P: (970) 667-1000 F: (970) 667-5876 WWW.COLORADOTIME.COM	
								SIZE: B DRAWING NUMBER: S2014-002-003		REV.: A1	



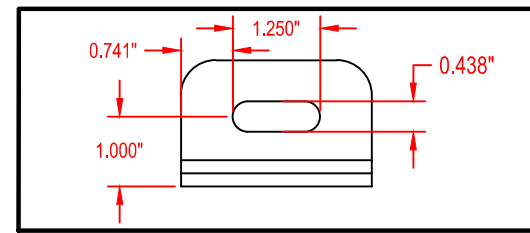
INSTALLATION PROCEDURE:

1. ATTACH (4) MOUNTING TABS TO SCOREBOARDS IN LOCATIONS SHOWN, USING 1/4" STAINLESS STEEL HARDWARE



DETAIL A
MOUNTING TAB- SCOREBOARD ATTACHMENT
4 LOCATIONS PER DISPLAY
NOTE- SIDE MOUNTING LOCATIONS ALSO AVAILABLE

2. SECURE MOUNTING TABS TO WALL/STRUCTURE USING REDHEAD SHN-3817 3/8" X 1 7/8" STAINLESS STEEL SLEEVE ANCHORS OR SIMILAR
-ENSURE DISPLAY IS LEVEL, PLUMB, AND SQUARE ON STRUCTURE

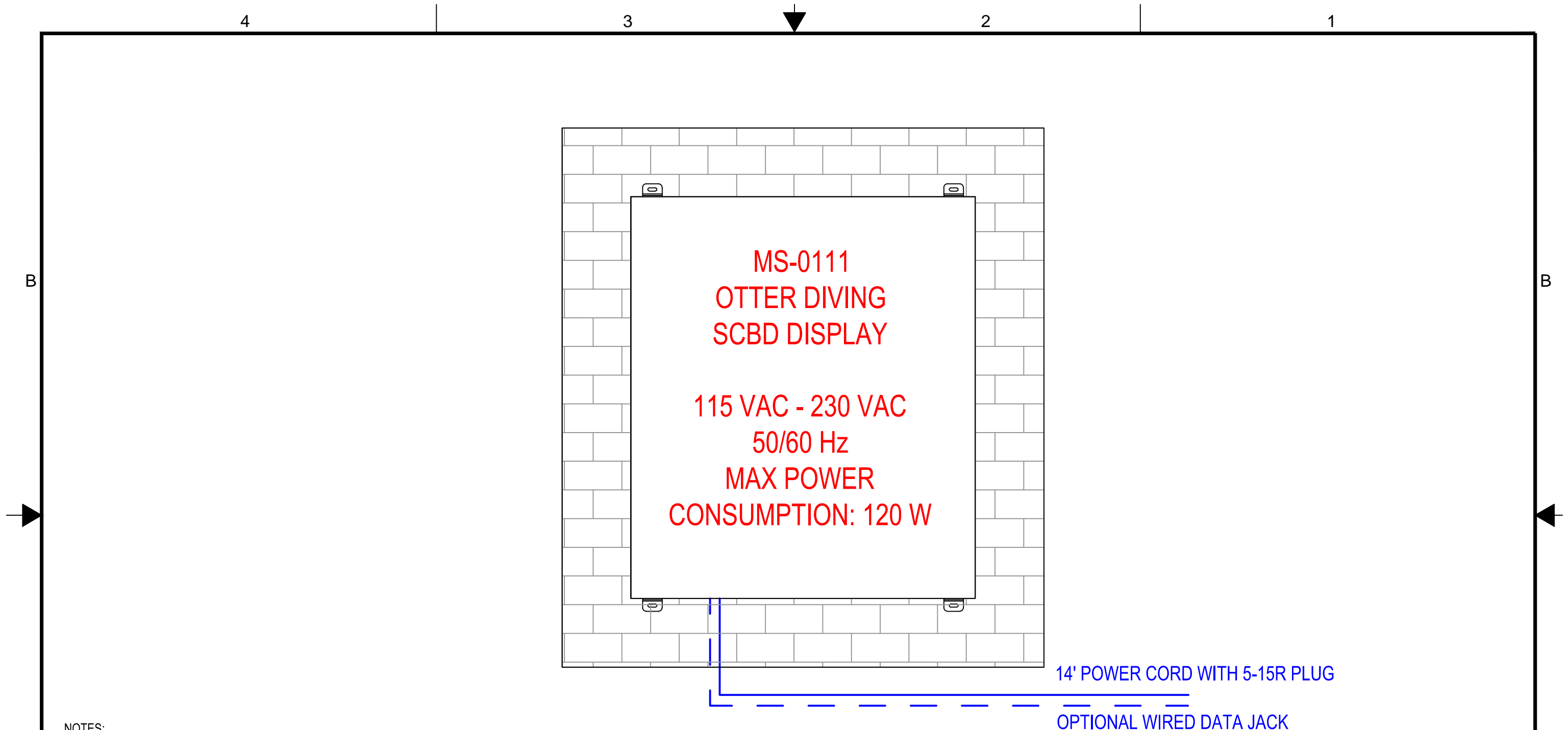


DETAIL B
MOUNTING TAB- WALL ATTACHMENT
4 LOCATIONS PER DISPLAY

WWW.COLORADOTIME.COM

THE INFORMATION ON THIS DRAWING IS SUBJECT TO CHANGE WITHOUT NOTICE

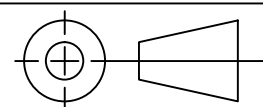

	TRADE SECRET <small>The information and data contained herein is secret and is submitted in confidence, and shall not be disclosed, used, or duplicated for any purpose whatsoever without the prior written permission of Colorado Time Systems, Inc., 1551 E. 11th Street, Loveland Colorado, 80537. This legend shall be marked on any reproduction hereof in whole or in part. Receipt of this document shall be deemed to be an acceptance of the conditions specified herein.</small>	DIMENSIONS ARE REPRESENTED AS FOLLOWS: INCH [MM]		DRAWN BY P.SCHIEL	DATE 10/30/14	TITLE MS-0111 WALL MOUNT STRUCTURAL DETAILS		1551 E. 11th. St. Loveland, CO 80537 P: (970) 667-1000 F: (970) 667-5876 WWW.COLORADOTIME.COM	SIZE B	DRAWING NUMBER S2014-002-003	REV. A1
		TOLERANCES EXCEPT AS NOTED INCHES: X ± 0.02 X ± MM ANGLES ± 1 DO NOT SCALE THIS DRAWING		ENG. APPROVAL PROJECT ENG.	DATE DATE						
		SCALE: NTS	SHEET 2 OF 3								



NOTES:

1. POWER AND DATA CABLES MUST BE ROUTED IN SEPARATE CONDUIT
2. CTS SUGGESTS 3/4" CONDUIT FOR ALL BURIED CABLE
3. EACH DISPLAY IS EQUIPPED WITH A 14' POWER CABLE WITH A NEMA 5-15R PLUG. NOTE THE EXIT LOCATION IS ON THE BOTTOM OF THE DISPLAY. THIS CABLE IS ONLY TO BE USED IN CONJUNCTION WITH AN OUTDOOR RATED RECEPTACLE
4. IF USING WIRED DATA, TERMINATE DATA CONDUIT TO JUNCTION BOX NEAR DATA JACK LOCATION
5. SCOREBOARD DOES NOT INCLUDE ON/OFF POWER SWITCH. INSTALL OPTIONAL SWITCH/DISCONNECT FOR ABILITY TO TURN SCOREBOARD ON/OFF IF NEEDED OR DESIRED
6. THIS SIGN IS INTENDED TO BE INSTALLED IN ACCORDANCE WITH THE REQUIREMENTS OF ARTICLE 600 OF THE NATIONAL ELECTRIC CODE AND/OR OTHER APPLICABLE CODES. THIS INCLUDES PROPER GROUNDING AND BONDING OF THE SCOREBOARD

THE INFORMATION ON THIS DRAWING IS SUBJECT TO CHANGE WITHOUT NOTICE

THIRD ANGLE PROJECTION 	TRADE SECRET <small>The information and data contained herein is secret and is submitted in confidence, and shall not be disclosed, used, or duplicated for any purpose whatsoever without the prior written permission of Colorado Time Systems, Inc., 1551 E. 11th Street, Loveland Colorado, 80537. This legend shall be marked on any reproduction hereof in whole or in part. Receipt of this document shall be deemed to be an acceptance of the conditions specified herein.</small>	DIMENSIONS ARE REPRESENTED AS FOLLOWS: INCH (MM) TOLERANCES EXCEPT AS NOTED INCHES X ± 0.02 X ± MM ANGLES ± 1 DO NOT SCALE THIS DRAWING SCALE NTS SHEET 3 OF 3	DRAWN BY P.SCHIEL ENG. APPROVAL PROJECT ENG.	DATE 10/30/14 DATE DATE	TITLE MS-0111 WALL MOUNT ELECTRICAL DETAILS	 Colorado TIME SYSTEMS.	1551 E. 11th. St. Loveland, CO 80537 P: (970) 667-1000 F: (970) 667-5876 WWW.COLORADOTIME.COM
					SIZE B	DRAWING NUMBER S2014-002-003	REV. A1

WWW.COLORADOTIME.COM