

Quick Connect Deck Plate

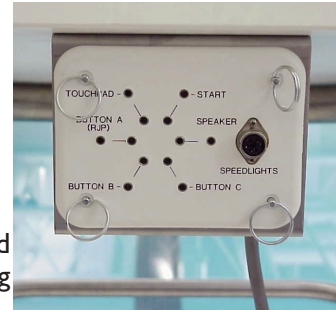
The Quick Connect Deck Plate system from Colorado Time Systems keeps your pool deck free from cables and makes set up quick and easy. The Quick Connect Deck Plate provides integrated support for our speedlight technology.

Connection hub under the starting block

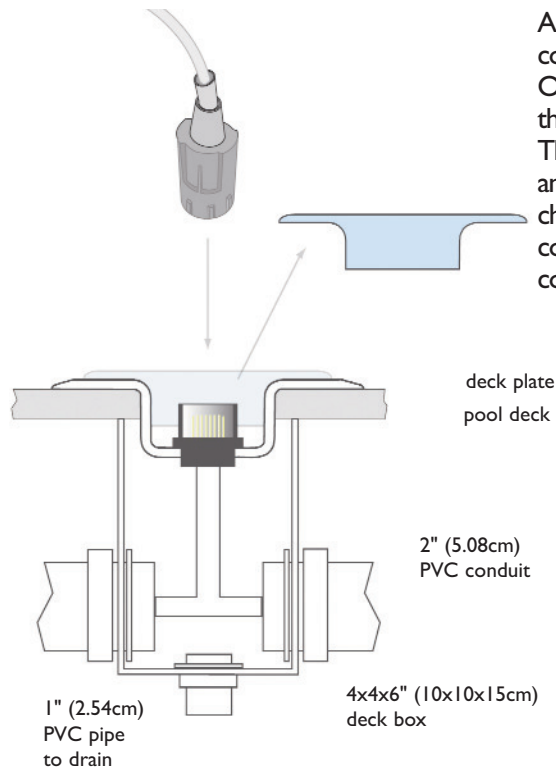
A connection hub under the block replaces the traditional deck plate as the place where all the electrical components plug in:

- relay judging platform
- touchpad
- speedlights
- individual lane speaker
- 3 backup buttons for judges

All electrical components, including connection hubs, speakers and relay judging platforms, are removable for dry, safe storage during non-practice/non-meet times.



Deck plate connector



A military connector with gold-plated connections is mounted in the pool deck. One short cable runs from this deck plate to the connection hub under the starting block. This system provides greater convenience and less possibility of corrosion from pool chemicals and water. The connector is covered when not in use to prevent corrosive build-up.

Revised 04/10

