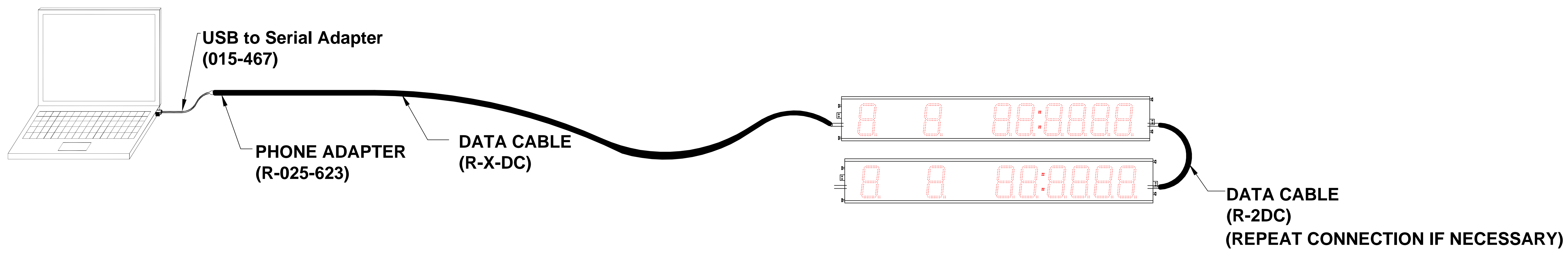
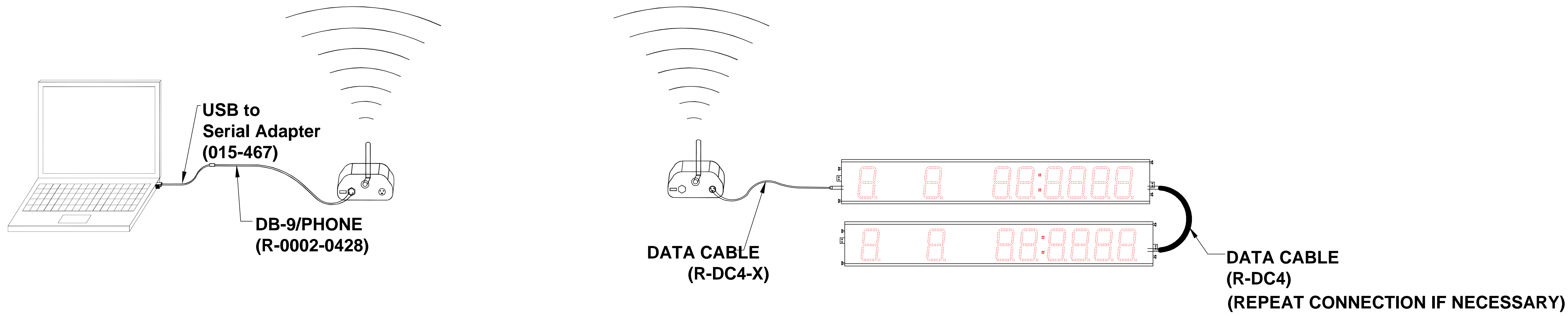


1 2 3 4 5 6 7 8 9 10 11 12 13 14 15 16

REVISIONS				
REV	DESCRIPTION	ECO/PCO #	DATE	APPROVED



ITEM #	QTY	PART #	DESCRIPTION

<p>INCH [MM]</p> <p>1 INCH = 25.4MM</p> <p>TOLERANCES EXCEPT AS NOTED</p> <p>INCHES .XX ± .1 .XXX ± .05</p> <p>MM .X ± .XX ±</p> <p>ANGLES ± 1</p> <p>MATERIAL SEE BILL OF MATERIALS</p> <p>FINISH</p>	<p>DRAWN BY J.MAYER</p> <p>CHECKED</p> <p>ENG. APPROVAL</p> <p>MFG. APPROVAL</p> <p>PROJECT ENG.</p> <p>DATE 10/5/11</p>	<p>450 N. Cleveland Ave. Loveland, CO 80537 (303)-667-1000 Phone (303)-667-0988 Fax</p> <p>Colorado TIME SYSTEMS</p> <p>TITLE FinishLynx to LED Display Wireless/Wired</p> <p>PART NUMBER 2010-000-023</p> <p>SIZE D</p> <p>SCALE 1:4</p>	<p>REVISIONS</p> <p>DATE 10/5/11</p> <p>REV. A</p> <p>SHEET 1 OF 1</p>
--	--	--	--

UNLESS OTHERWISE SPECIFIED:
 VARIATIONS IN FORM FOR UNMACHINED FEATURES ARE PERMITTED WITHIN ESTABLISHED COMMERCIAL STANDARDS. ALL EDGES AND CORNERS 0.005-0.020 (APPROX RADIUS OR CHAMFER)
 - ALL FILLETS 0.005-0.020 (APPROX RADIUS) - SCREW THREADS PER ANSI B1.1- PIPE THREADS PER ANSI B1.1- SURFACE ROUGHNESS PER ANSI B46.1- SURFACE ROUGHNESS ON HOLES 250 MAX

TRADE SECRET

The information and data contained herein is secret and is submitted in confidence, and shall not be disclosed, used or duplicated for any purpose whatsoever without the prior written permission of James A. Hepp, Colorado Time Systems, Inc., 1551 E. 11th Street, Loveland, Colorado, 80537. This legend shall be marked on any reproduction hereof in whole or in part. Receipt of this document shall be deemed to be an acceptance of the conditions specified herein.