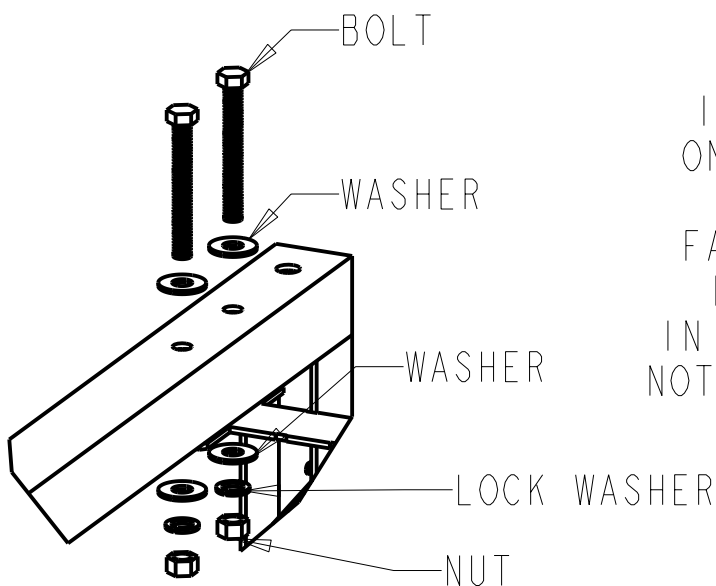
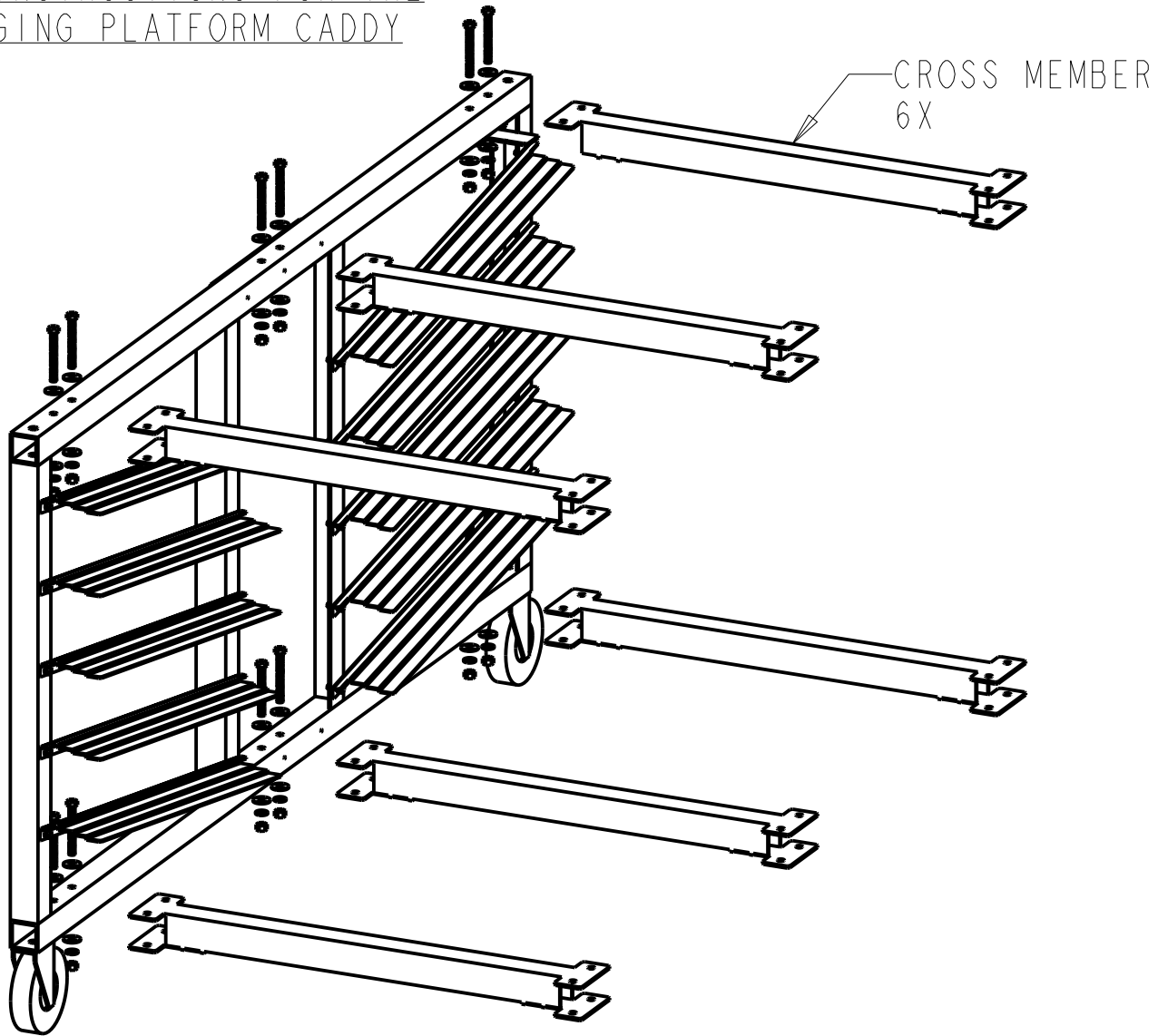
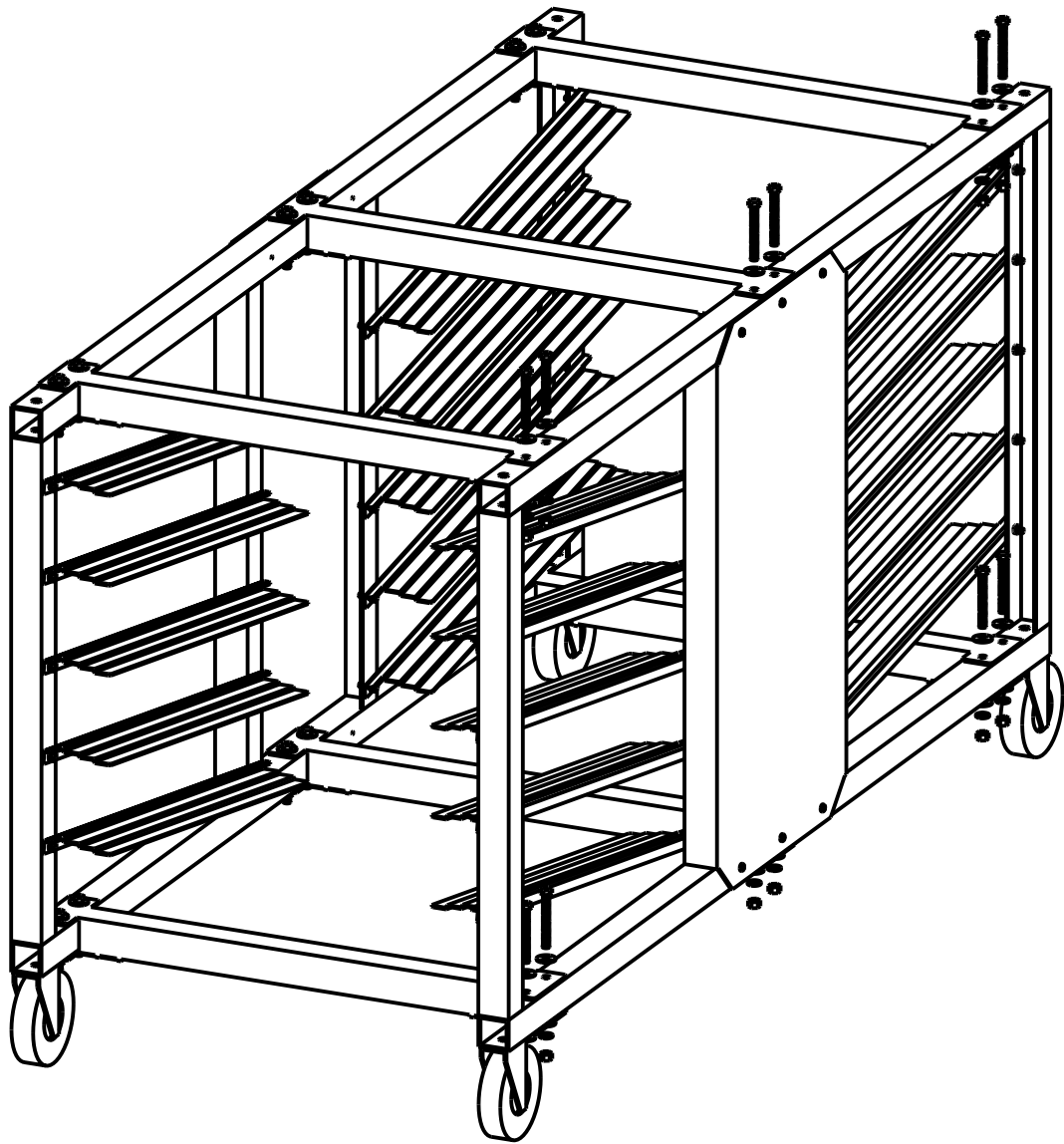


ASSEMBLY INSTRUCTIONS FOR THE
RELAY JUDGING PLATFORM CADDY

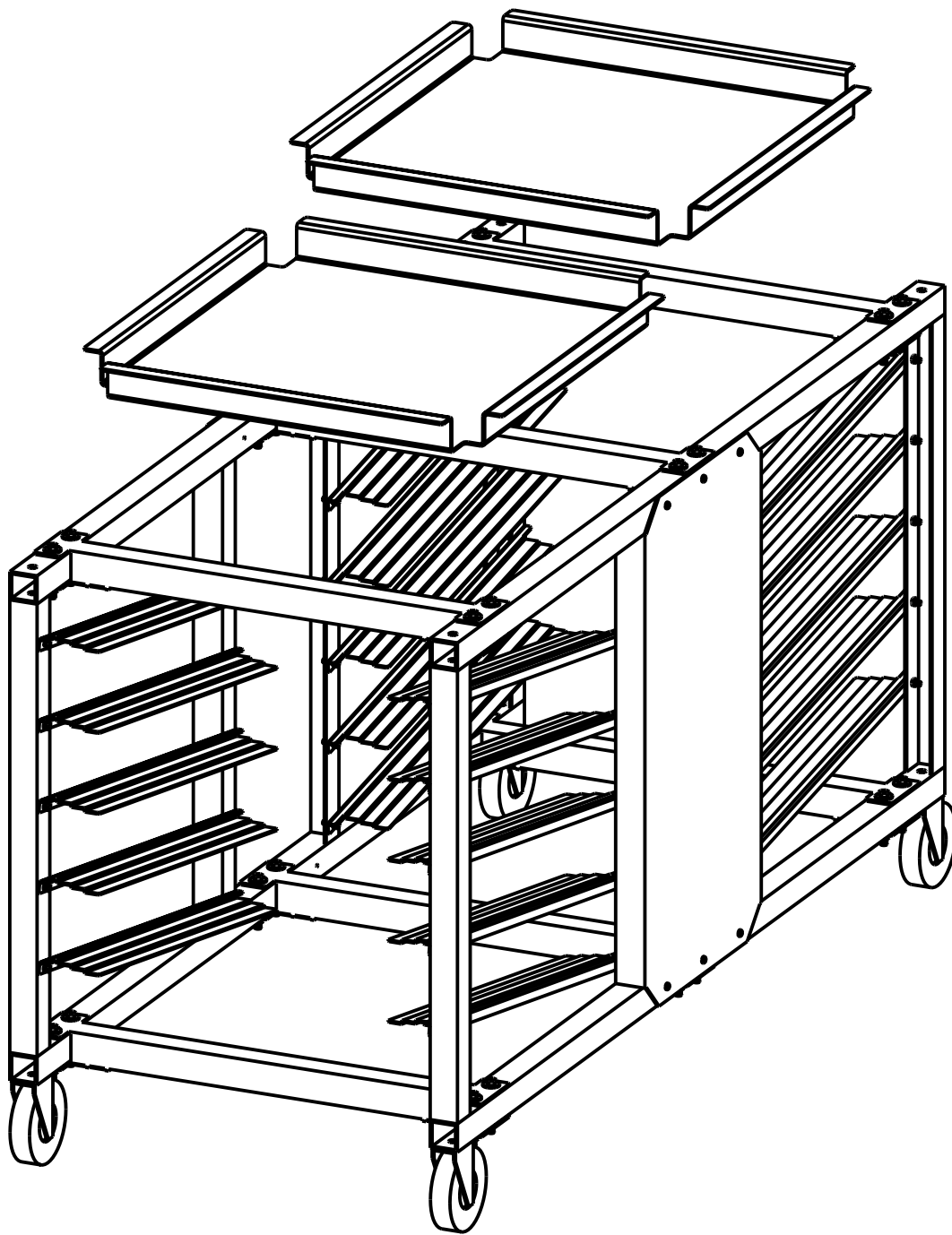


HARDWARE DETAIL
SCALE 0.250

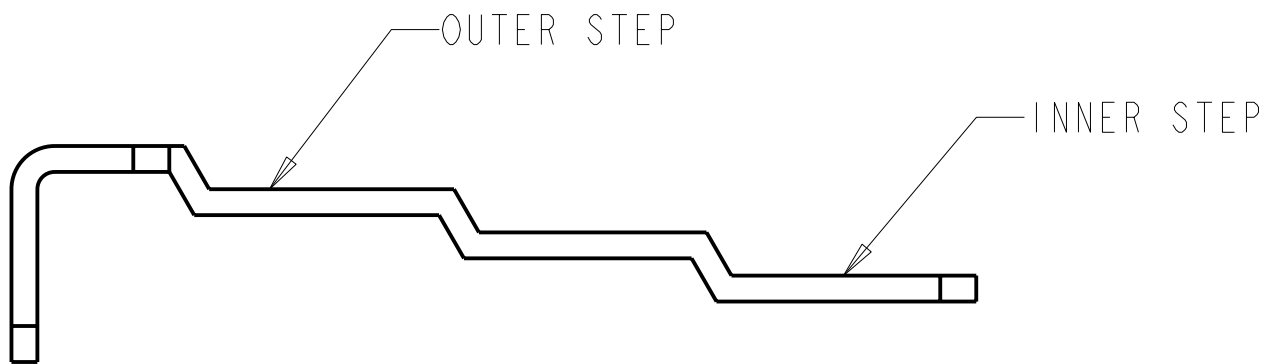
STEP 1:
INSTALL (6) CROSS MEMBERS ONTO
ONE SIDE OF THE CADDY. THE WELDS
ON THE CROSS MEMBERS SHOULD
FACE DOWN, TOWARDS THE WHEELS.
INSTALL THE HARDWARE AS SHOWN
IN THE HARDWARE DETAIL (LEFT). DO
NOT FULLY TIGHTEN ALL OF THE BOLTS
AT THIS TIME.



STEP 2:
INSTALL THE SECOND SIDE OF THE CADDY.
NOW TIGHTEN THE BOLTS ON BOTH SIDES.



STEP 3:
PLACE THE TRAYS ONTO THE TOP OF THE
CADDY. THE TRAYS SIMPLY SET ON THE CADDY,
AND MAY BE REMOVED FOR CLEANING.



SLIDE DETAIL

THE CADDY HAS BEEN DESIGNED FOR USE WITH BOTH THE 20" WIDE AND THE 24" WIDE RELAY JUDGING PLATFORMS. THE SLIDE IS STEPPED FOR EACH SIZE. USE THE OUTER STEP FOR THE 24" WIDE RELAY JUDGING PLATFORMS. USE THE INNER STEP FOR THE 20" WIDE RELAY JUDGING PLATFORMS.

WARNING: NEVER STAND
ON THE CADDY.

Colorado Time Systems
1551 E. 11th. St.
Loveland, CO 80537
(800) 279-0111
(970) 667-1000 Phone
(970) 667-1032 Fax
www.coloradotime.com

shop online: <http://secure.coloradotime.com>

F-887 REV.0205